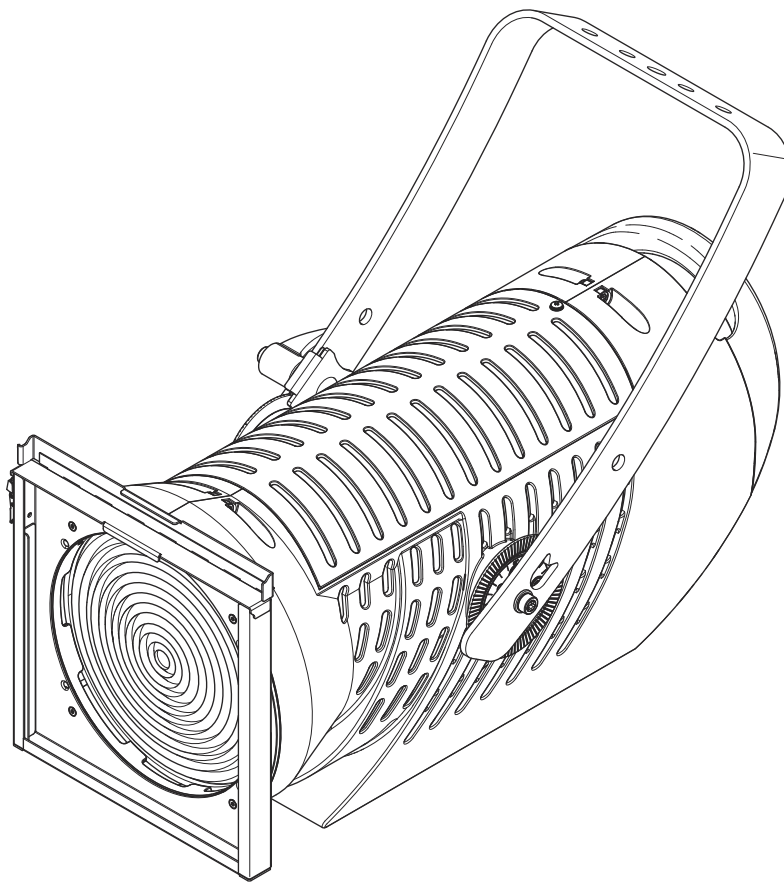


# ORKIS

## INSTRUCTION MANUAL

ORKIS FRESNEL M  
ORKIS PEBBLE M



***Congratulations on choosing an ADB product! We thank you for your custom.***

Please note that this fixture - like all the others in the wide ADB range - has been designed and made with total quality assurance to ensure excellent performance and best meet your expectations and requirements.

# INDEX

1. **SAFETY INFORMATION**
2. **TECHNICAL SPECIFICATIONS**
  - 2.1 Lamp Hook Installation
3. **HOW TO SET THE UNIT**
  - 3.1 Control panel
  - 3.2 Main Functions
4. **HOW TO CONTROL THE UNIT**
  - 4.1 DMX Controller
5. **DMX 512 CONNECTIONS**
6. **TROUBLESHOOTING**
7. **FIXTURE CLEANING**

# 1. SAFETY INFORMATION

**EN** How to get your SAFETY INSTRUCTIONS in multilingual version.  
You may always download the multilingual Safety Instruction manual for this ADB product from:  
**[www.adbstagelight.com](http://www.adbstagelight.com)**  
Rif: FIS01N - Safety Information ORKIS series

**IT** Come ottenere le INFORMAZIONI DI SICUREZZA nella versione multilingue.  
Puoi sempre scaricare la versione multilingue delle Informazioni di Sicurezza per questo prodotto ADB al seguente link:  
**[www.adbstagelight.com](http://www.adbstagelight.com)**  
Rif: FIS01N - Safety Information ORKIS series

**DE** So erhalten Sie Ihr INFORMATIONEN ZUR SICHERHEIT in der mehrsprachigen Version.  
Sie können die mehrsprachige Version des Handbuchs mit Sicherheitshinweisen für dieses ADB Produkt unter folgendem Link herunterladen:  
**[www.adbstagelight.com](http://www.adbstagelight.com)**  
Rif: FIS01N - Safety Information ORKIS series

**ES** Cómo obtener tu INFORMACIONES DE SEGURIDAD en la versión multilingüe.  
Siempre puedes descargar la versión multilingüe del Manual de Instrucciones de Seguridad para este producto ADB en el siguiente enlace.  
**[www.adbstagelight.com](http://www.adbstagelight.com)**  
Rif: FIS01N - Safety Information ORKIS series

**FR** Comment obtenir votre CONSIGNES DE SÉCURITÉ dans la version multilingue.  
Vous pouvez toujours télécharger la version multilingue du Manuel d'Instructions de Sécurité pour ce produit ADB au lien suivant :  
**[www.adbstagelight.com](http://www.adbstagelight.com)**  
Rif: FIS01N - Safety Information ORKIS series

**RU** Где достать ИНСТРУКЦИЮ ПО ТЕХНИКЕ БЕЗОПАСНОСТИ на нескольких языках.  
Вы всегда можете скачать многоязычную инструкцию по технике безопасности для данного изделия ADB по ссылке:  
**[www.adbstagelight.com](http://www.adbstagelight.com)**  
Rif: FIS01N - Safety Information ORKIS series

## **Warning:**

Please keep this User Guide for future consultation. If you sell the unit to another user, be sure that they also receive this instruction manual.

- Unpack and check carefully there is no transportation damage before using the unit.
- The unit is for indoor use only. Use only in a dry location.
- The unit must be installed in a location with adequate ventilation, at least 50cm from adjacent surfaces. Be sure that no ventilation slots are blocked.
- Disconnect main power before replacement or servicing.
- Make sure there are no flammable materials close to the unit while operating as it is fire hazard.
- Use safety cable when fixes this unit (Optional 105041/001). Handle the unit by taking its plastic handle or the metal yoke.
- Turn off the power and allow about 15 minutes for the unit to cool down before replacing or servicing.
- In the event of serious operating problem, stop using the unit immediately. Never try to repair the unit by yourself. Repairs carried out by unskilled people can lead to damage or malfunction. Please contact the nearest authorized technical assistance center. Always use the same type spare parts.
- DO NOT touch any wire during operation as high voltage might be causing electric shock.
- To prevent or reduce the risk of electrical shock or fire, do not expose the unit to rain or moisture.
- DO NOT open the unit within five minutes after switching off.
- The housing, the lenses, must be replaced if they are visibly damaged.

## **Caution:**

There are no user serviceable parts inside the unit. DO NOT open the housing or attempt any repairs yourself. In the unlikely event your unit may require service, please contact your nearest dealer.

## **Installation:**

The unit should be mounted via its screw holes on the bracket. Always ensure that the unit is firmly fixed to avoid vibration and slipping while operating. And make sure that the structure to which you are attaching the unit is secure and is able to support a weight of 10 times of the unit's weight. Also always use a safety cable that can hold 12 times of the weight of the unit when installing the fixture.

The equipment must be fixed by professionals. And it must be fixed at a place where is out of the touch of people and has no one pass by or under it.

## 2. TECHNICAL SPECIFICATIONS

### ELECTRICAL

- Power consumption: 300VA at 230V 50 HZ
- Voltage range: 100-240 V
- Frequency: 50/60 Hz

### OPTICAL

- Light source: 6-Color LED (Red, Green, Blue, Amber, Cyan, Lime)
- CRI: 97 at any color temperature
- Color temperature range: 2500K - 8000K
- Motorized zoom
- Fresnel lens (standard):
  - Beam angle: 15° to 54°
  - Field angle: 22° to 87°
- PC lens (optional):
  - Beam angle: 14.5° to 56°
  - Field angle: 26° to 80°

### PHOTOMETRICS (illuminance @ 3200K)

- Fresnel narrow beam @ 5m = 2375 Lux
- Fresnel wide beam @ 5m = 305 Lux
- PC narrow beam @ 5m = 1668 Lux
- PC wide beam @ 5m = 280 Lux

### CONTROL

- Control modes: DMX 512, RDM, ArtNET
- Local control: Zoom, Intensity, CTO, Green-Magenta adjustment
- 16-bit ultra-smooth dimming
- IHM: color touch-screen & 3 push encoders
- Color control modes: Hue Saturation, RGB, CMY

### PHYSICAL

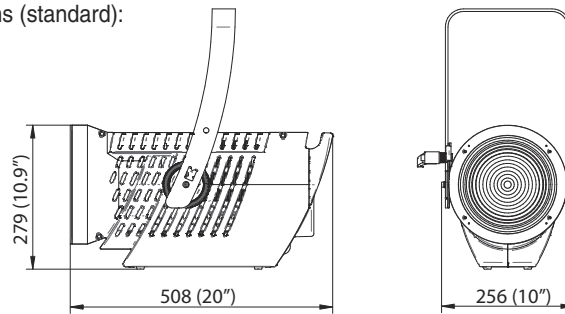
- Aluminium & metal die-cast housing
- Color: black
- Standard accessories:
  - Metal filter frame 215 x 215 mm
  - Neutrik PowerCON TRUE1 1.5 m power cable, bare ends
- Optional accessories:
  - 8 leaves barndoors 215 x 215 mm

### WEIGHT

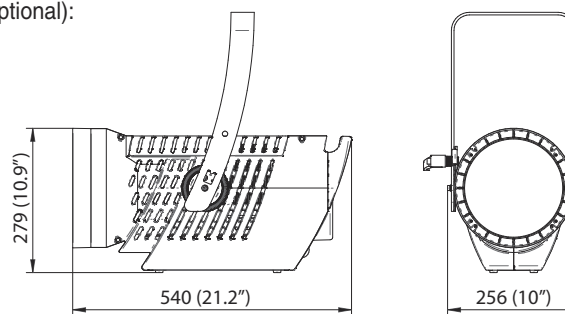
- 11.5 Kg

1

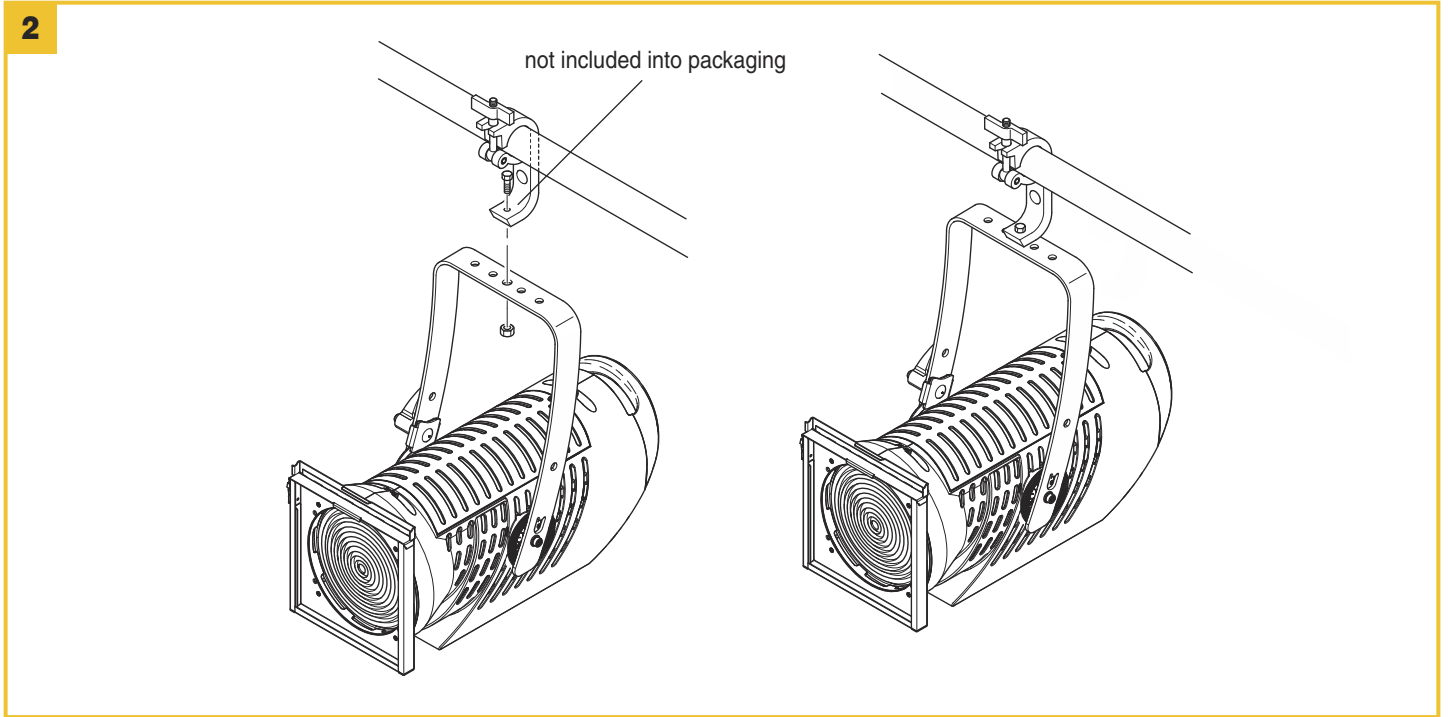
Fresnel lens (standard):



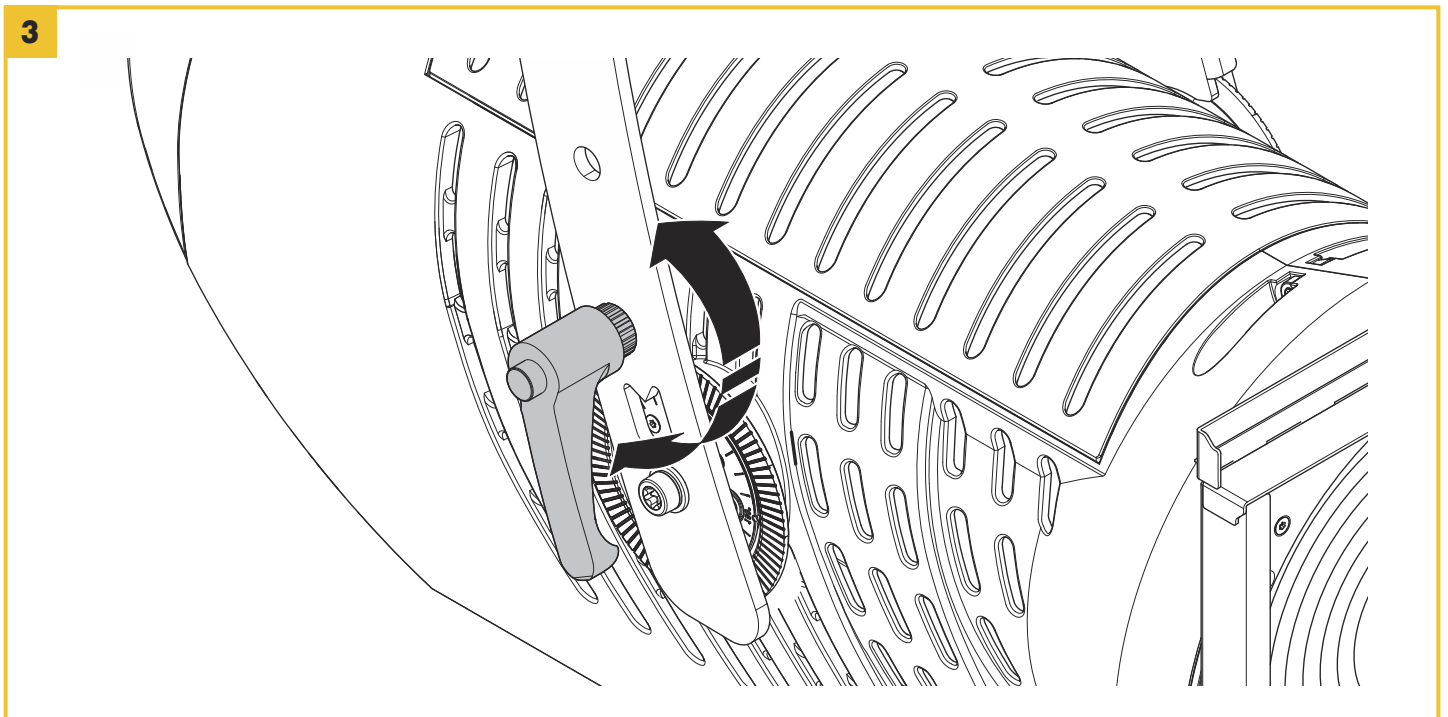
PC lens (optional):



## 2.1 Lamp Hook Installation



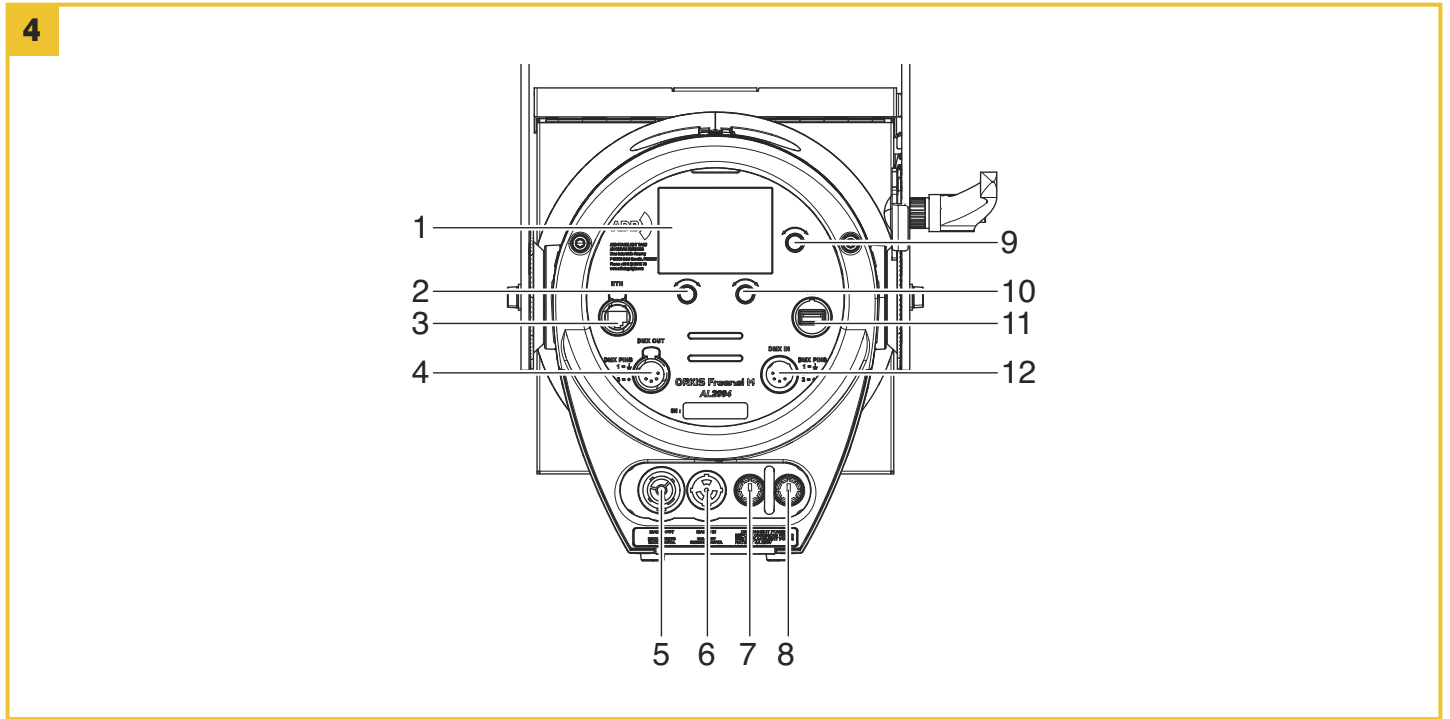
Attach the clamp using the screw to the lamp hanger of the fixture as shown above, and fasten the screw.



Loose the tilting knobs, leaving the fixture free to be tilted.

# 3. HOW TO SET THE UNIT

## 3.1 Control panel



- 1. Display
- 2. Linear potentiometer
- 3. Ethernet Input
- 4. DMX input
- 5. Powercon output
- 6. Powercon input
- 7. Fuse 1
- 8. Fuse 2
- 9. Linear potentiometer
- 10. Linear potentiometer
- 11. USB input (only for firmware upgrade)
- 12. DMX output

## 3.2 Main Functions

see Orkis Fresnel M / Pebble M UserMenu

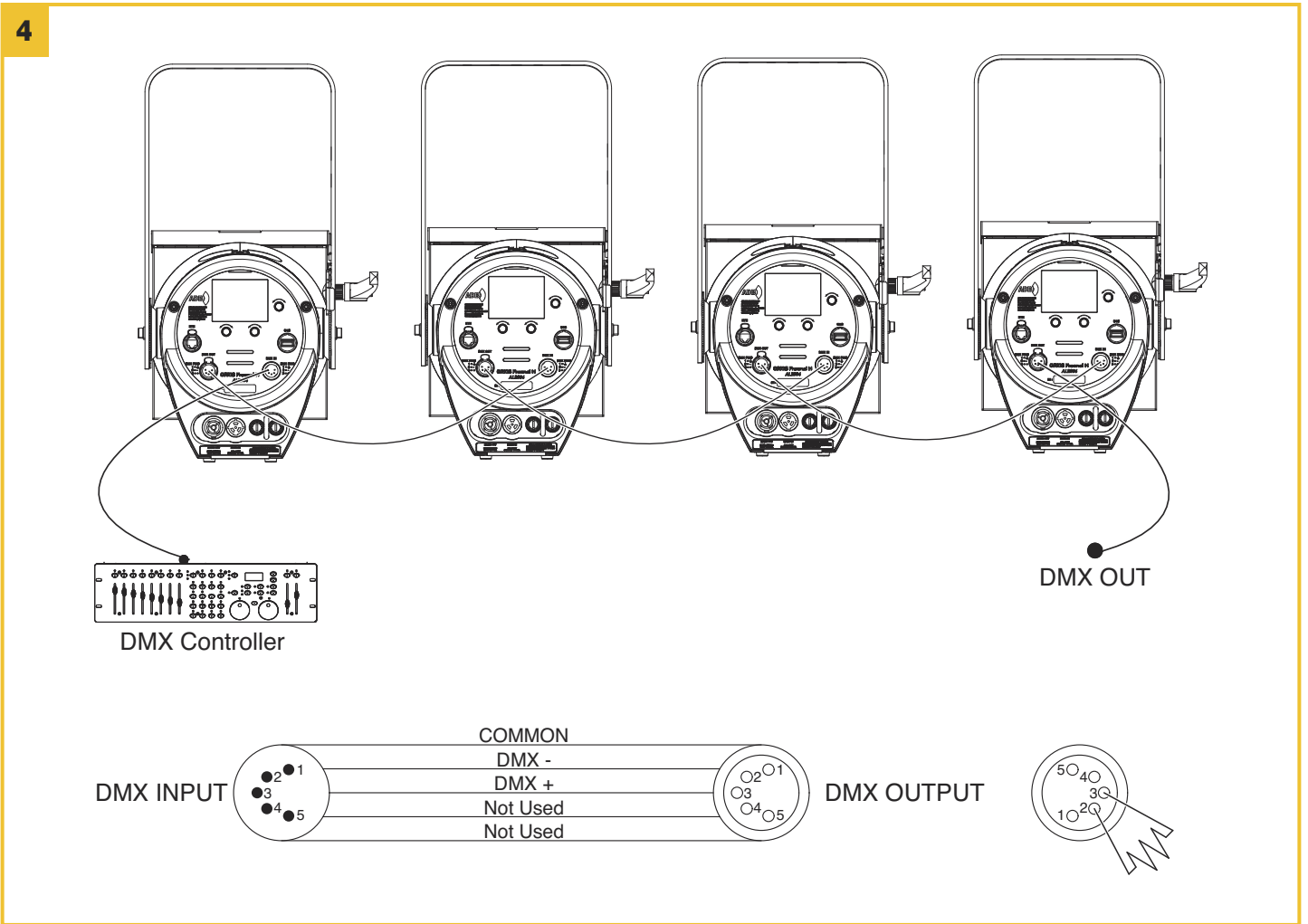
# 4. HOW TO CONTROL THE UNIT

## 4.1 DMX 512 Configurations

see Orkis Fresnel M / Pebble M\_DMXChannels

# 5. DMX 512 CONNECTIONS

The DMX512 is widely used in intelligent lighting control, with a maximum of 512 channels.



1. Use a cable conforming to specifications EIA RS-485: 2-pole twisted, shielded, 120Ohm characteristic impedance, 22-24 AWG, low capacity. Do not use microphone cable or other cable with characteristics differing from those specified. The end connections must be made using XLR type 5-pin male/female connectors. A terminating plug must be inserted into the last projector with a resistance of 120Ohm (minimum 1/4 W) between terminals 2 and 3.  
**IMPORTANT: The wires must not make contact with each other or with the metal casing of the connectors. The casing itself must be connected to the shield braid and to pin 1 of the connectors.**
2. Connect the fixture together in a “daisy chain” by XLR plug cable from the output of the fixture to the input of the next fixture. The cable cannot be branched or split to a “Y” cable. Inadequate or damaged cables, soldered joints or corroded connectors can easily distort the signal and shut down the system.
3. The DMX output and input connectors are pass-through to maintain the DMX circuit when one of the units’ power is disconnected.
4. Each lighting fixture needs to have an address set to receive the data sent by the controller. The address number is between 1-512.
5. 5 pin XLR: Pin 1: GND, Pin 2: Negative signal (-), Pin 3: Positive signal (+), Pin4, Pin5 not used



## 6. TROUBLESHOOTING

Following are a few common problems that may occur during operation. Here are some suggestions for easy troubleshooting:

### **A. The unit does not work, no light and the fan does not work**

1. Check the connection of power and main fuse.
2. Measure the mains voltage on the main connector.
3. Check the power on Fixture.

### **B. Not responding to DMX controller**

1. Check DMX connectors, cables to see if link properly.
2. No response to the channel, check the address settings and DMX polarity.
3. If you have intermittent DMX signal problems, check the pins on connectors or on PCB of the unit or the previous one.
4. Try to use another DMX controller.
5. Check if the DMX cables run near or run alongside to high voltage cables that may cause damage or interference to DMX interface circuit.

### **C. One of the channels is not working well**

1. The stepper motor might be damaged or the cable connected to the PCB is broken.
2. The motor's drive IC on the PCB might be out of condition

## 7. FIXTURE CLEANING

The cleaning of internal and external optical lenses and/or mirrors must be carried out periodically to optimize light output. Cleaning frequency depends on the environment in which the fixture operates: damp, smoky or particularly dirty surrounding can cause greater accumulation of dirt on the unit's optics.

- Clean with soft cloth using normal glass cleaning fluid.
- Always dry the parts carefully.
- Clean the external optics at least every 20 days. Clean the internal optics at least every 30/60 days.







I - 24068 Seriate (BG) - via Pastrengo, 3/b  
Phone +39 035 654311 - [www.adbstagelight.com](http://www.adbstagelight.com)